

Measuring Guide

Points to consider before making your purchase

1. Confirm the measurements of your bed divan and mattress from the UK standard sizes.

UK STANDARD SIZE	INCHES (width)	CMS (width)
single	3' 0"	90cm
double	4' 6"	135cm
king	5' 0"	150cm
superking	6' 0"	180cm

2. From single size to super king, all our headboards have been especially designed to be approximately 10 cm wider than the mattress and divan base so that when the bed is fully dressed, with pillows and a duvet, the whole bed will have a more luxurious feel.

Our headboard sizes are:

DESIGNERS GUILD SIZE	INCHES (width)	CMS (width)
single	3' 3"	100cm
double	4' 10"	147cm
king	5' 3"	161cm
superking	6' 4"	193cm

3. Once you have chosen the appropriate headboard size for your bed we recommend that you ensure it fits into the room of choice and make certain that there is sufficient access to manoeuvre the furnishing into the room. If the item needs to be taken up or down stairwells you should consider the clearance area of the ceilings paying special attention to loft or basement conversions where the access may be more restricted.

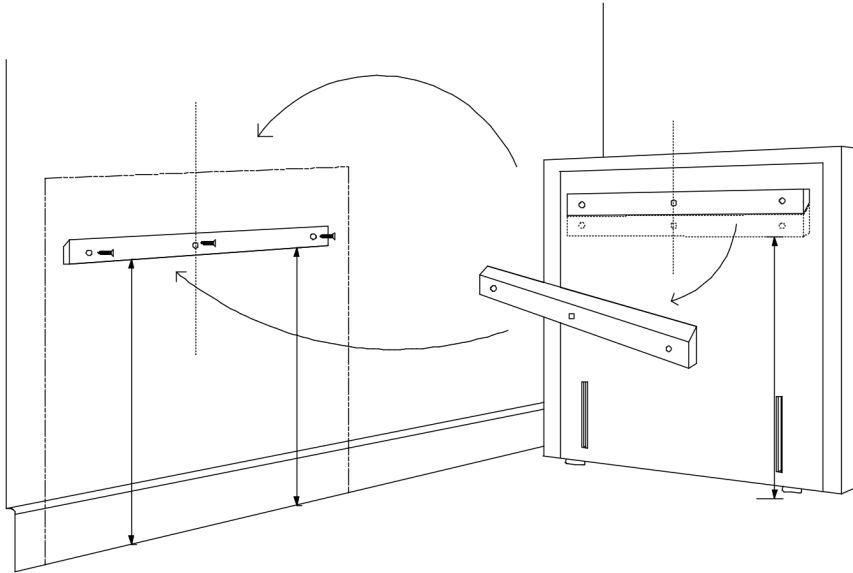
4. The slots on our headboards have been spaced to meet bed divans that adhere to UK standards. Our slots begin 5cms from the base and are 30cms tall (not including small feet). Please refer to our line drawings for slot spacing locations.

5. Lastly, please read through our fitting instructions carefully (or consult a professional fitter) should you need assistance to fit the bed to the wall with the supplied battens. The headboards are delivered as ready therefore measuring for access first is essential.

If you need further help or information regarding our headboards please contact our customer services team at ukonlinesales@designersguild.com

Headboard Fitting Guide

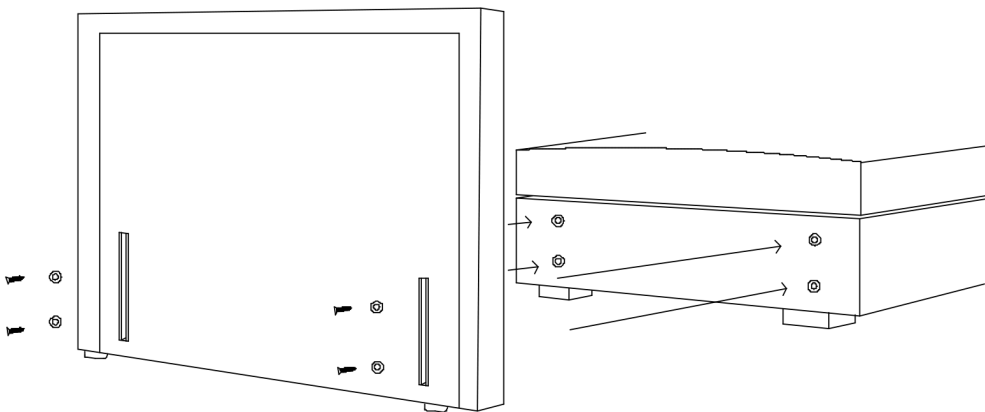
Wall fitting using split battons



We recommend that a professional trades person be used for wall fitting headboards, using the illustration above as a guide.

Note: If preferred, the transport feet can be removed, remove before measuring and fixing to wall.

Fitting headboards to divan bases



1. Offer headboard up to divan base.
2. On rear of new headboard, put bolts through washers then feed bolts through the headboard and into the divan base bolt holes and tighten up securely.

Note: If preferred, the transport feet can be removed, in this instance, remove before measuring and bolting to divan.

If you need further help or information regarding our headboards please contact our customer services team at ukonlinesales@designersguild.com