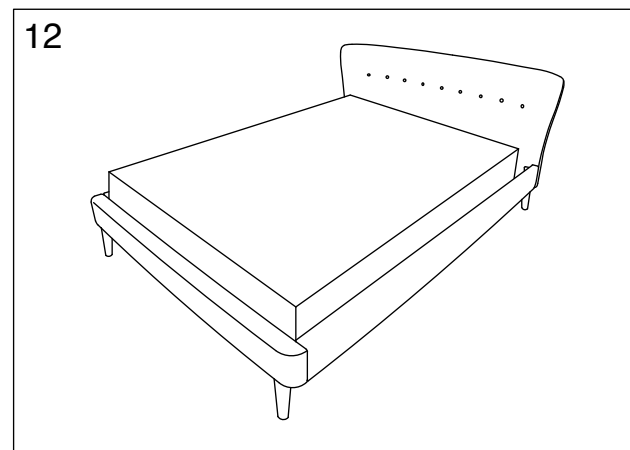
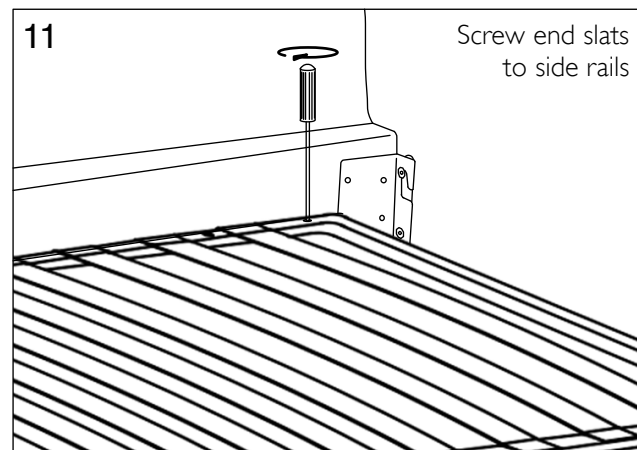
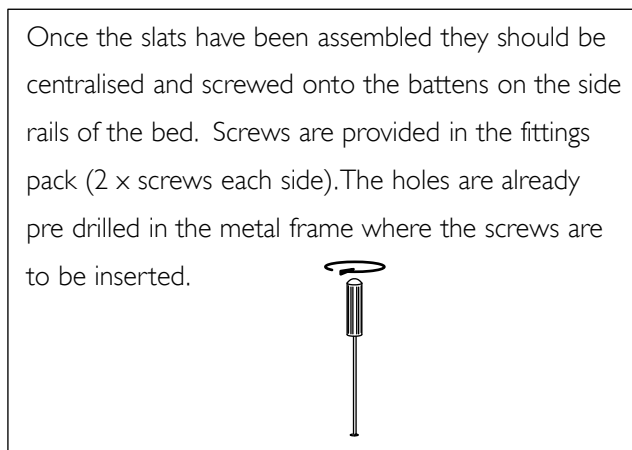
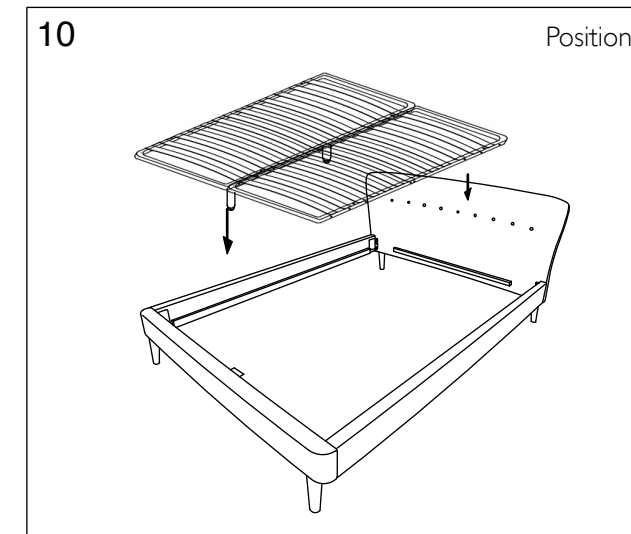
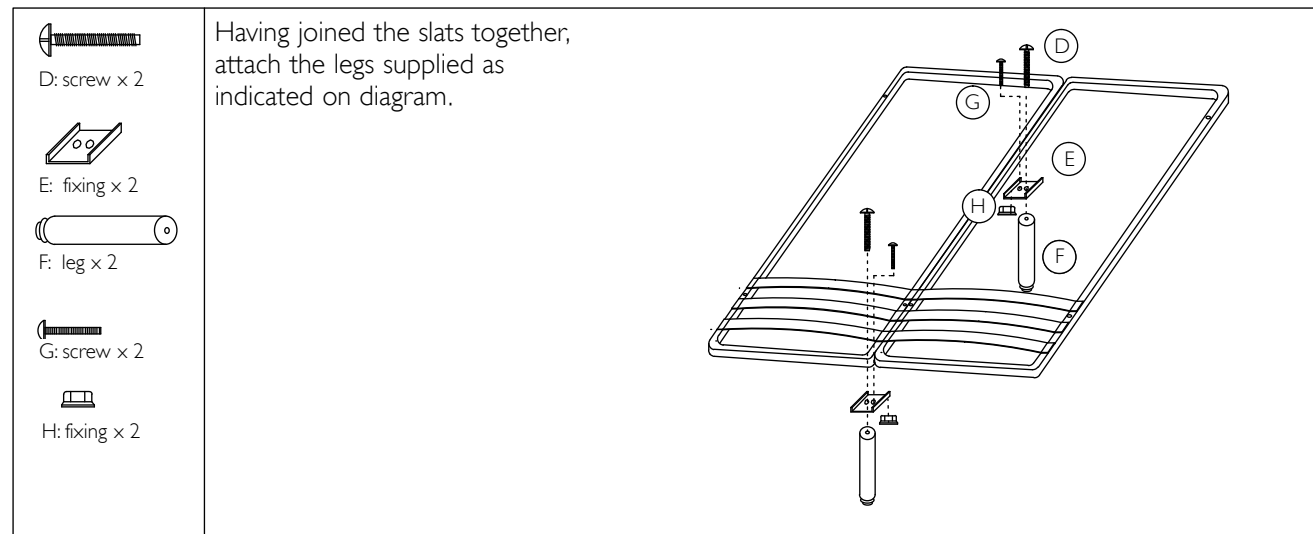
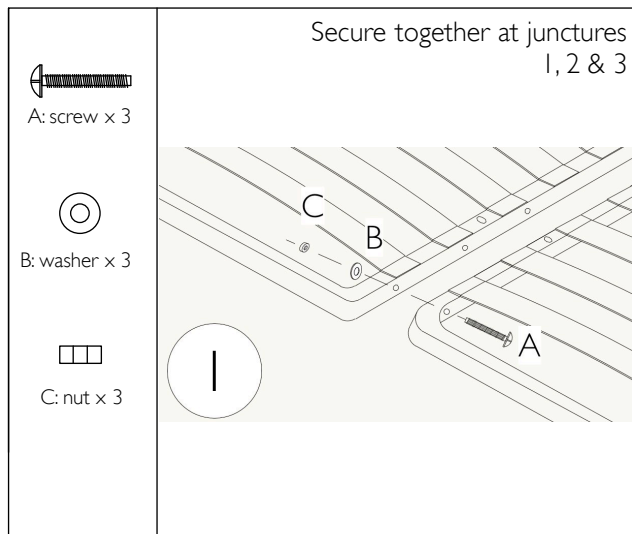
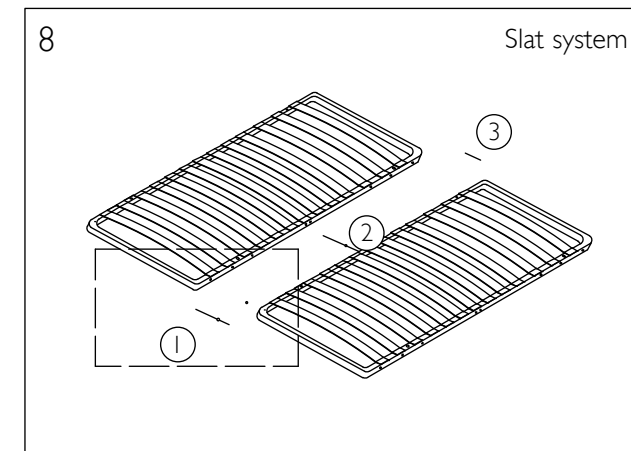
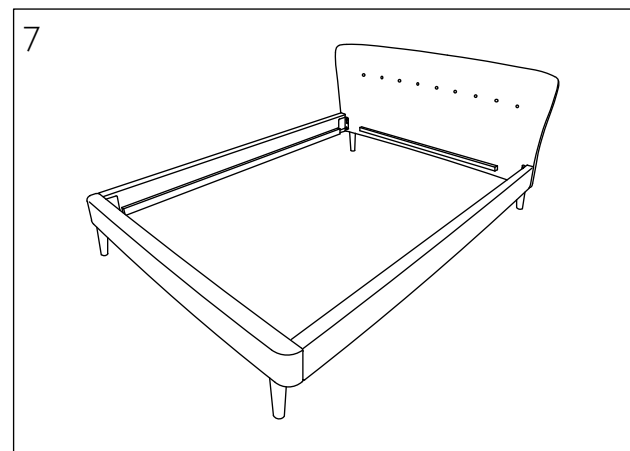
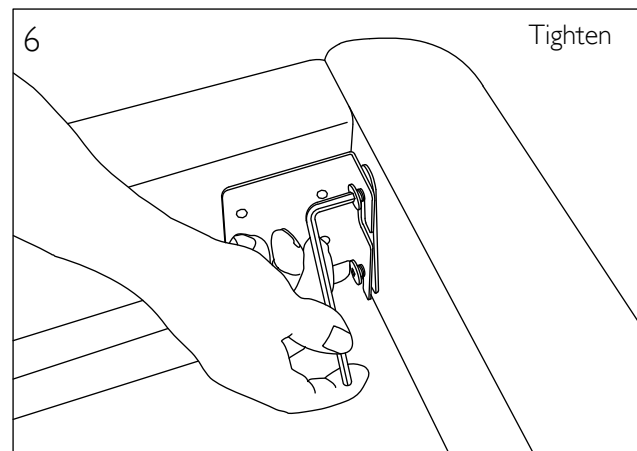
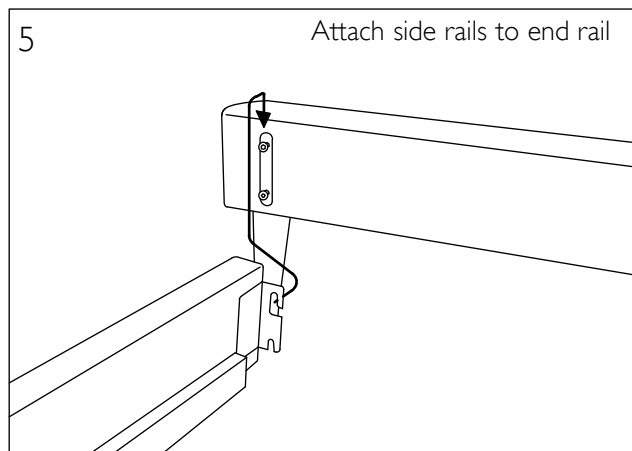
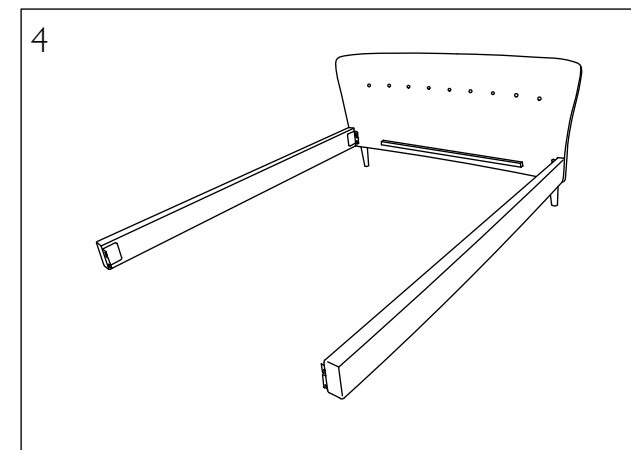
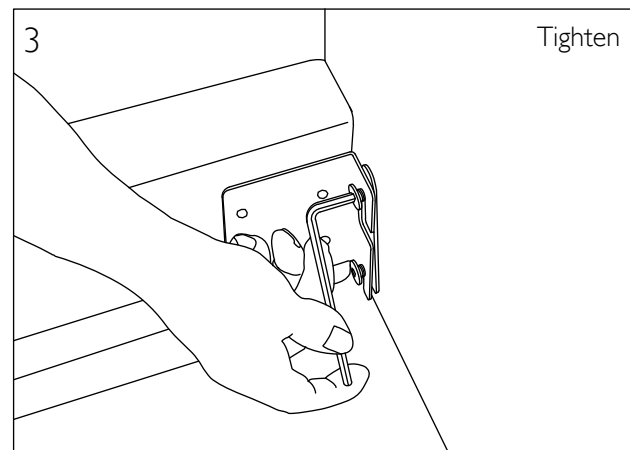
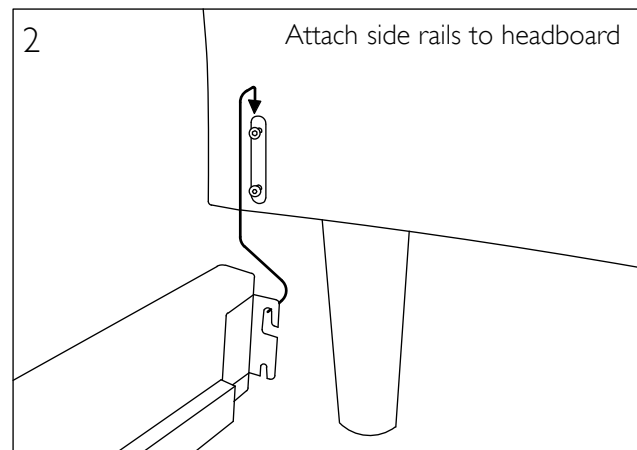
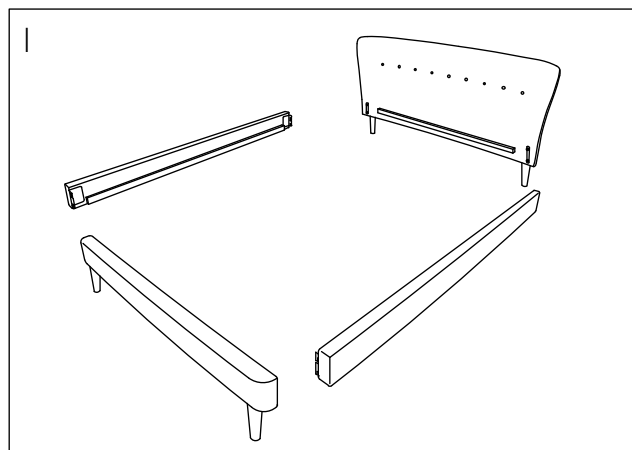


DESIGNERS GUILD

Assembly instructions for Cosmo, Polka, Square and Wave beds.
For Measuring & Fitting Instructions or Furniture Care Instructions please visit: www.designersguild.com

DESIGNERS GUILD is a registered trademark of Designers Guild Ltd. © DESIGNERS GUILD, 2015



Pop on your mattress and you're ready to go.

IMPORTANT: After the bed has been assembled and made up it is very important that if the bed needs to be moved then it should be lifted or dis-assembled and not dragged. If it is dragged, this will cause damage to the legs / bed.